

LUMEX[®]
A Graham-Field Brand

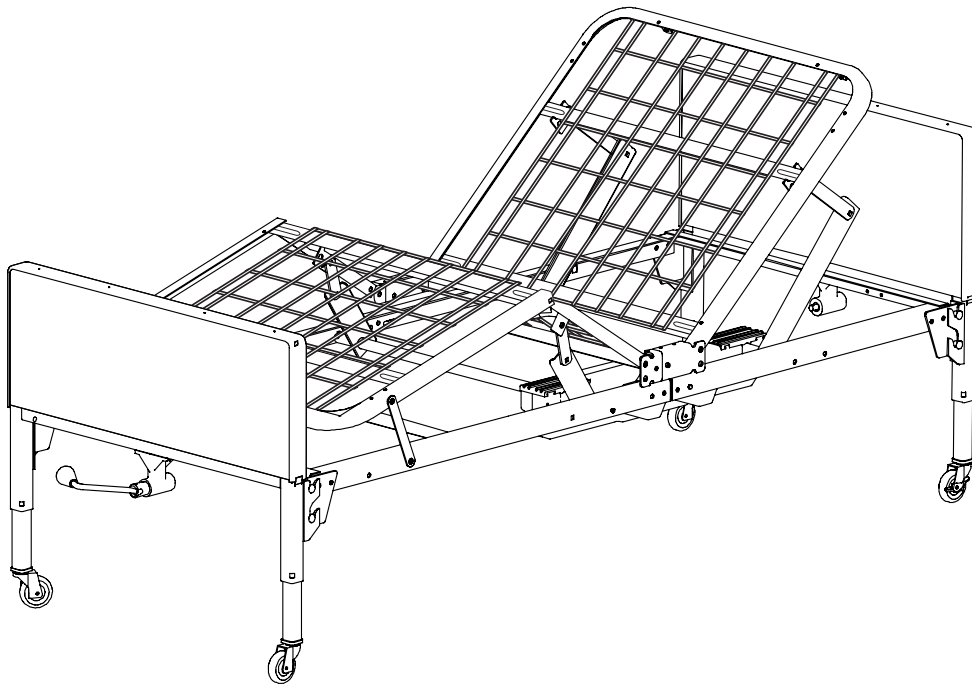


PATRIOT

Homecare Bed Series

MODEL US0208 / US0208PL SEMI-ELECTRIC BED

MODEL US0458 / US0458PL FULL-ELECTRIC / LOW BED



USER MANUAL

READ THIS MANUAL BEFORE OPERATING THE PATRIOT HOMECARE BED.

SAVE THIS MANUAL FOR FUTURE USE.

**NOTE: THE MOST CURRENT VERSION OF THIS MANUAL
CAN BE FOUND ONLINE AT www.grahamfield.com**

CONTENTS

1	SAFETY	3
	WARNING / CAUTION SUMMARY	3
2	INTRODUCTION, PATRIOT™ HOMECARE BED USER MANUAL	4
	THERMAL MOTOR PROTECTION	4
	GRAVITY-DOWN FEATURE FOR HEAD AND KNEE ELEVATION	4
3	ASSEMBLY INSTRUCTIONS	5
	HEAD AND FOOT ASSEMBLY	5
	MOTOR ASSEMBLY	6
	REMOVE MOTOR SLIDE CAPS	6
	INSTALL MOTORS	6
	INSTALL MOTOR SLIDE CAPS	7
	MOTOR ASSEMBLY TROUBLESHOOTING	7
	FULL-ELECTRIC BED <u>ONLY</u> (US0458/US0458PL): CASTER POSITION	7
	STANDARD (CONVENTIONAL) BED HEIGHT	7
	LOW BED HEIGHT	7
	BED END ASSEMBLY	8
	FULL-ELECTRIC BED <u>ONLY</u> (US0458/US0458PL): LOCK MOTOR SPRING COUPLING	8
	ALL BED MODELS: ASSEMBLE BED ENDS	8
	FULL-ELECTRIC BED <u>ONLY</u> (US0458/US0458PL): ALIGN MOTOR AND GEARBOX	9
	ALL MODELS: ASSEMBLE HEAD BED END	9
	HI/LO ROD ASSEMBLY / BED LENGTH	10
	SEMI-ELECTRIC BED <u>ONLY</u> (US0208/US0208PL): ASSEMBLE HI/LO ROD	10
	FULL-ELECTRIC BED <u>ONLY</u> (US0458/US0458PL): ASSEMBLE HI/LO ROD	10
	ALL MODELS: ATTACH HI/LO ROD TO GEARBOX OR MOTOR SHAFT PINS	11
4	BED OPERATION	12
	PENDANT HAND CONTROL OPERATION	12
	FULL-ELECTRIC BED <u>ONLY</u> (US0458/US0458PL)	12
	SEMI-ELECTRIC BED <u>ONLY</u> (US0208/US0208PL)	12
	CRANK OPERATION: SEMI-ELECTRIC BED <u>ONLY</u> (US0208/US0208PL)	13
	TRENDELENBURG POSITION, ALL MODELS	13
	REVERSE TRENDELENBURG POSITION, ALL MODELS	13
5	SPECIFICATIONS, ALL MODELS	14
6	ACCESSORIES: BED RAILS	15
	BED RAIL SAFETY	15
	LUMEX® PATRIOT™ LIBERTY BED RAILS	15
	GF6500B-1: ASSIST BAR	15
	GF6580B-1: QUARTER RAIL	15
	GF6590B-1: HALF NO-GAP HEAD RAIL	16
	GF6570B-1: FULL LENGTH RAIL	16
	LUMEX® STANDARD BED RAILS	16
	GF6570A-1: FULL LENGTH SIDE RAIL	16
	LX5088: NO-GAP BED RAIL	17
	GF6580A-1: LOW UNIVERSAL HALF RAIL	17
7	SERVICE PARTS, ALL MODELS	18
	BED COMPONENTS	18
	BED END COMPONENTS	19
	BED SERVICE PARTS	20
8	MAINTENANCE AND SAFETY CHECKS	21
9	WARRANTY	22
10	INDEX	23

- READ THESE INSTRUCTIONS BEFORE OPERATING THE PATRIOT HOMECARE BED
- SAVE THESE INSTRUCTIONS

GF Health Products, Inc. is not responsible for typographical errors. Packaging, warranties, products and specifications are subject to change without notice.

Graham-Field and *Lumex* are registered trademarks, and *Patriot* is a trademark, of GF Health Products, Inc.

© June 2009, GF Health Products, Inc.

1 SAFETY

The safety statements presented in this chapter refer to the basic safety information that the operator of the Patriot™ Homecare Bed shall pay attention to and abide by. There are additional safety statements in other chapters or sections, which may be the same as or similar to the following, or specific to the operations. Please note the following special statements, used throughout this manual, and their significance:

⚠ WARNING: Indicates a potential hazard situation or unsafe practice that, if not avoided, could result in death or serious personal injury.

▲ Caution: Indicates a potential hazard or unsafe practice that, if not avoided, could result in minor personal injury or product/property damage.

Note: Provides application recommendations or other useful information to ensure that you get the most from your product.

WARNING / CAUTION SUMMARY

⚠ WARNING: Keep hands and feet clear of all moving parts.

⚠ WARNING: Do not allow small children on or near bed during operation.

⚠ WARNING: Do not allow this device to be operated by small children.

⚠ WARNING: When operating the hi/lo, knee, or back function of the bed, ALWAYS ensure that the individual confined to the bed is positioned properly within the confines of the bed. DO NOT let any extremities protrude over the side or between the bed rails when performing any functions.

⚠ WARNING: Ensure that body weight is evenly distributed over the surface of the bed. Do not lie, sit or lean in such a way that your entire body weight is placed only on the raised head or foot sections of the bed. This includes when assisting the user in repositioning or transferring in or out of bed.

⚠ WARNING: The use of non-Lumex® replacement parts and/or bed rails will void the warranty, and could create a hazardous condition resulting in serious personal injury.

⚠ WARNING: Before operating, ensure that the bed frame rivets are properly seated in the bed end hooks; otherwise, injury or damage may result.

⚠ WARNING: Keep all moving parts free of obstructions (i.e. blankets/sheets, heating blankets/pads, tubing, wiring, and other types of products).

⚠ WARNING: Ensure that End Safety Locking Pins are installed in order to prevent injury when moving the bed or using a bed-mount trapeze.

⚠ WARNING: Warning/Caution labels applied to the bed outline hazards or unsafe practices that could result in personal injury and/or property damage; do not remove them.

▲ Caution: The pendant hand control cord must be routed and secured properly to ensure that the cord does NOT become entangled and eventually severed during use. Ensure that electric cords DO NOT get tangled around the bed, bed rails or legs during normal operation of the bed.

▲ Caution: When using nasal or masked type administering equipment, oxygen or air tubing MUST be routed and secured properly to ensure that tubing does NOT become entangled and eventually severed during normal operation of bed.

2 INTRODUCTION, PATRIOT™ HOMECARE BED USER MANUAL

This manual contains assembly and maintenance instructions for your Model US0208 / US0208PL Semi-Electric and US0458 / US0458PL Full-Electric / Low Patriot™ bed. Read the entire manual carefully before using your bed, and refer to it during use if you have questions.

THERMAL MOTOR PROTECTION

This product is powered by a quiet, efficient DC motor system. When the bed is plugged into a power outlet, the electrical transformer is always energized in a stand-by condition. The Okimat actuator casing may feel warm to the touch even when the bed is not being used; this is a normal condition.

Thermal protection activation (protection against overheating caused by excessive or extended periods of operation), which causes the bed to shut down operation when overheated, is a safety feature of this product.

Causes of thermal protection activation include multiple or repeated adjustment of long duration, or the use of multiple functions at one time. To ensure trouble-free operation, always allow a slight pause between multiple adjustments, and avoid operating more than one function at a time. If thermal protection activation occurs, the bed pendant hand control will not function. The thermal protection will reset after a period of time dependent on the severity of the overheating. To shorten the reset time, temporarily unplug the power cord from the power outlet.

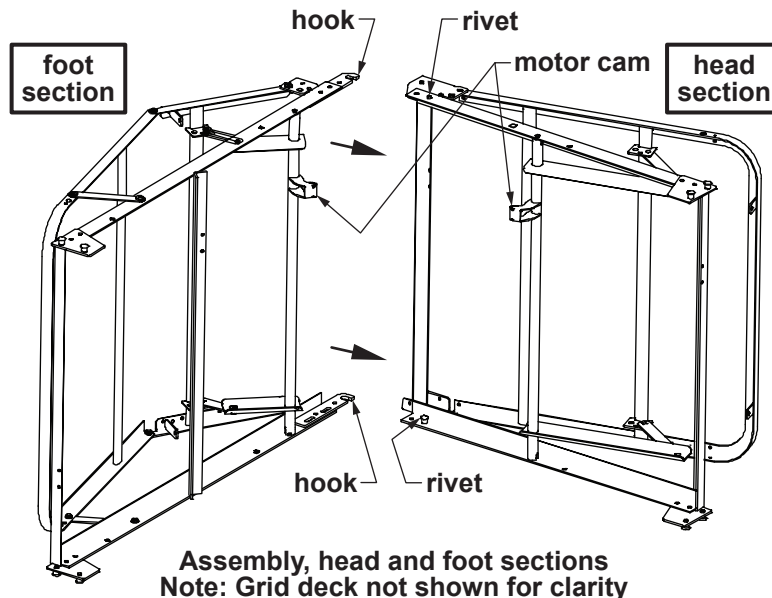
GRAVITY-DOWN FEATURE FOR HEAD AND KNEE ELEVATION

Patriot™ beds are equipped with a **gravity-down** safety feature. The motors push the head and knee grid decks up, but do not pull the knee and head down. As the motor plunger retracts, the head and knee lower freely, minimizing bed damage and/or injury from items caught under the grid deck.

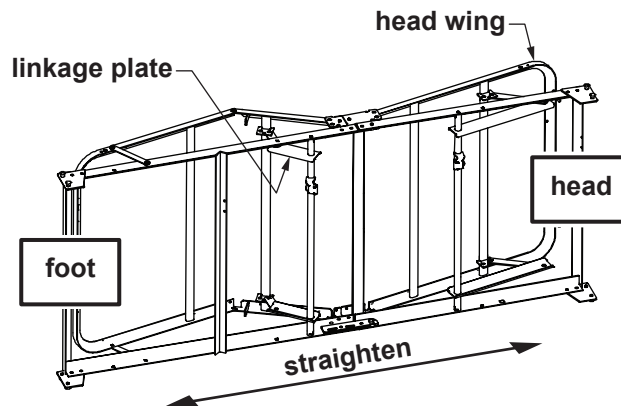
Note: When using telescoping deck-mount bed rails, the head and knee may not lower without weight on the bed.

3 ASSEMBLY INSTRUCTIONS

HEAD AND FOOT ASSEMBLY



1. Lay the head and foot sections on their sides at approximately right angles to each other with motor cams up, as shown above.
2. Slide the head and foot sections together until the foot section's hook catches the head section's rivet **on both sides**. Ensure both rivets are completely seated before continuing.

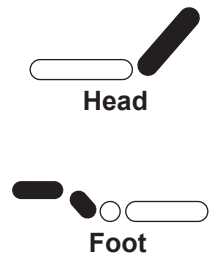


3. With the rivets fully seated in the hooks as described in step 2, rotate and straighten the bed as shown above. Position head wing as shown above.

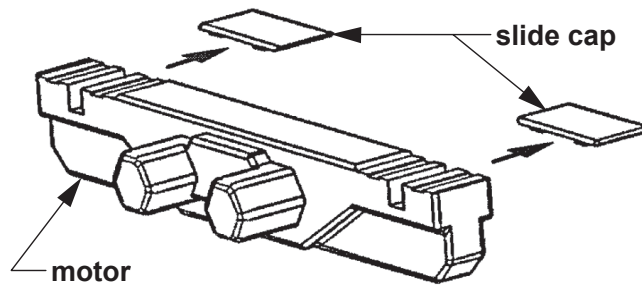
▲ **Caution:** While balancing the frame, do not elevate the knee too far or the linkage may over-extend and lock. If the linkage locks, manually push the large linkage plate toward the foot of the bed.

MOTOR ASSEMBLY

⚠ WARNING: Assemble motor on bed as follows. While it is possible to install the motor backwards, avoid it! Incorrect installation could cause the bed to move in unexpected ways. Note that the motor ends are labeled and embossed with head and foot symbols (shown at right). Ensure that bed head and motor head, and bed foot and motor foot, are matched.



Remove motor slide caps



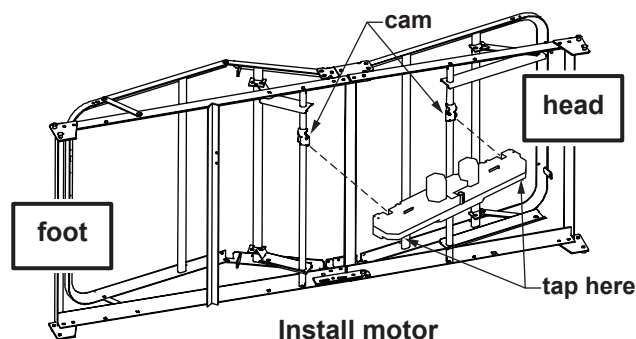
Remove motor slide caps

1. Remove the slide caps from both ends of the motor as shown above. Plungers should be recessed in motor cavities; if not, operate "down" function on the pendant hand control.

Note: Motor comes from factory with pendant hand control plugged into motor.

2. Install 9V backup battery (not provided) and slide into storage area.

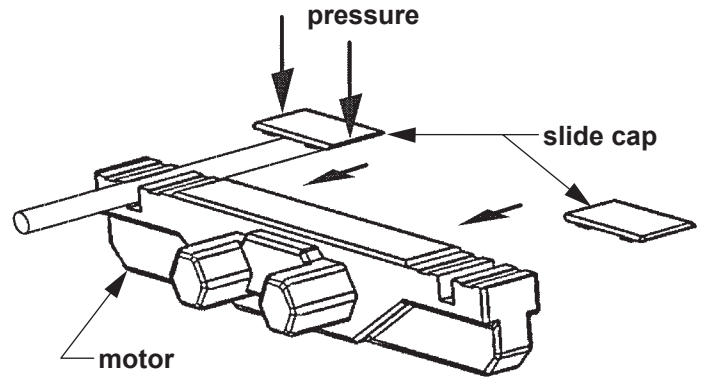
Install Motors



3. Hold the bed securely, positioned with motor cams up, as shown above.
4. Position the motor over both cams.
5. Tap either end of the motor housing (shown below) with enough force to snap the motor assembly into position on the cam.
6. Repeat step 5 for other end of motor.

Install motor slide caps

7. Position the caps as shown at right so that the grooves in the slide cap are aligned with the grooves in the motor.
8. Apply straight downward pressure to each end of the cap while sliding into the closed position.
9. Repeat step 8 for the other cap.
10. Ensure that all four corners of each slide cap are engaged.



Install motor slide caps

⚠ WARNING: Ensure that the motor is assembled on bed as instructed above before use.

Motor assembly troubleshooting

Problems associated with improper motor installation are listed below, with appropriate fix.

Problem	Probable cause	Fix
Head operates with knee control button and knee operates with head control button	Motor is installed backwards	Remove motor and reverse it (see page 7)
Knee lifting linkages bind against grid deck, preventing knee deck from elevating.	Motor is installed backwards, enabling knee to elevate too high and bind linkage	Remove motor and reverse it (see page 7)

FULL-ELECTRIC BED ONLY (US0458/US0458PL): CASTER POSITION

Any full-electric Patriot™ bed can be used as either a standard-height or low-height bed by moving the casters.



fig 1: casters mounted at standard height



fig 2: casters mounted at low height, bed in lowest position



fig 3: casters mounted at low height, bed in elevated position

Standard (conventional) bed height

To achieve standard bed height, insert casters into outside legs, as shown in fig. 1 above.

Low bed height

To achieve low bed height, insert casters into inner short legs, as shown in figs. 2 and 3 above.

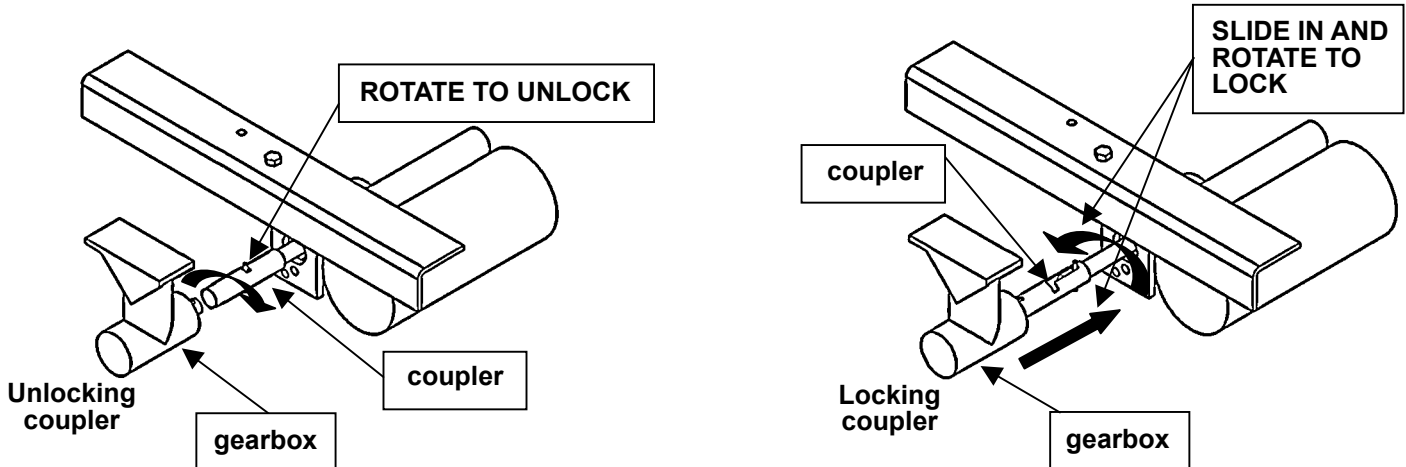
When in the lowest position, the casters are engaged for bed movement, as shown in fig. 2 above.

When elevated, the bed is off the casters and cannot be moved, as shown in fig. 3 above.

Due to the clearances involved, only minor travel and movement are recommended in the low position. The casters can be moved to the outer legs to provide clearance if the bed must be moved or rolled.

BED END ASSEMBLY

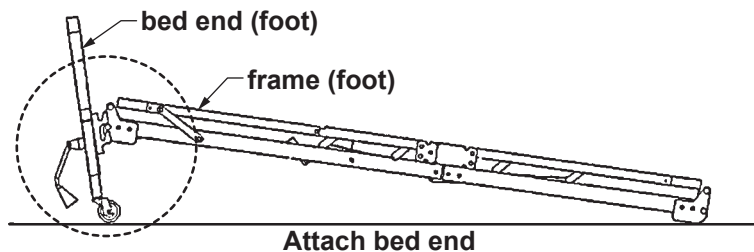
Full-electric bed only (US0458/US0458PL): Lock motor spring coupling



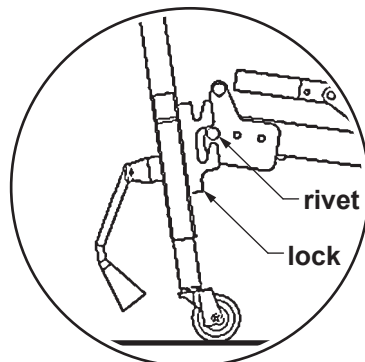
Before attaching foot end, ensure that hi/lo motor spring coupling is retracted and locked to avoid interference with end gearbox shaft as shown at above right.

All bed models: Assemble bed ends

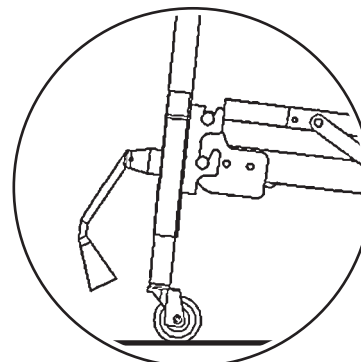
1. Insert one locking and one non-locking caster into each bed end. **Locking casters must be installed diagonally from each other.** See previous page for full-electric caster position options.
2. Standing directly in front of the bed foot end, position it as close to the bed as possible.
3. With one hand, reach over end and lift up the bed.



4. Tilt the bed end slightly back toward you as shown above.



Engage lower rivet

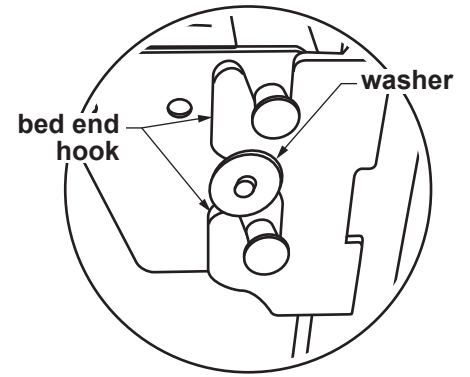


5. Engage lower rivet slightly with corner lock and tilt end toward bed as shown at above left.
6. Lower bed onto corner lock as shown at above right.

7. After bed ends have been attached, install bed end safety pins to act as safety latches.

(Bed End Safety Pin Kit part number: 690-1000-100; includes four clevis pins, four hitch pins and four washers). A lanyard is supplied to attach hardware to the bed or the end upon disassembly.

Insert pins and washer as shown at right, with flat washer on outside of bed end hook. Bed end safety pins, while not necessary for normal bed operation, will prevent the bed ends from accidentally rolling off when moving or pushing the bed, or while installing or using bed-mount trapezes.

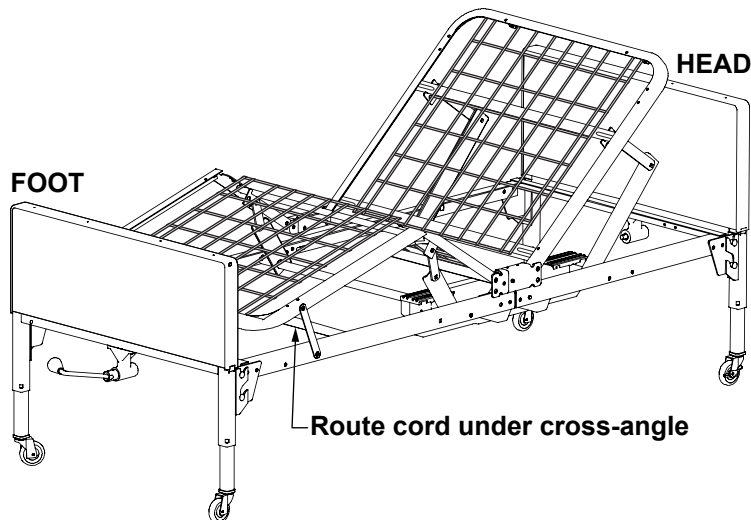


Install bed end safety pins

Full-electric bed only (US0458/US0458PL): Align motor and gearbox

After installing foot end, you may have to shift bed frame slightly in bed end hooks to ensure proper horizontal alignment with motor coupling and end gearbox shaft.

When coupling and shaft are aligned, unlock spring-loaded coupling. Coupling may not snap into groove until motor is rotated with pendant hand control after bed is assembled.



Plug hi/lo motor into Okimat actuator assembly, being careful to route cord under the fixed base frame cross-angle as shown above to ensure clearance with hi/lo drive shaft. The motor plug is located next to the pendant hand control plug on the actuator.

All models: Assemble head bed end

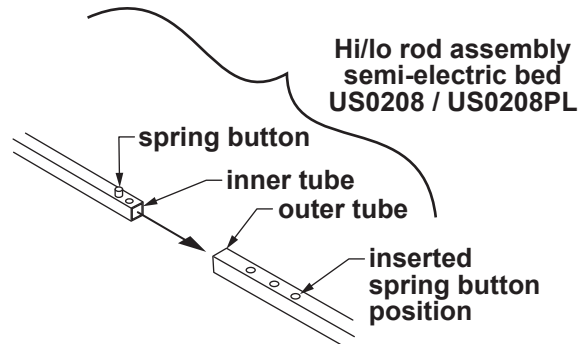
8. Repeat steps 1-7 for head bed end.

HI/LO ROD ASSEMBLY / BED LENGTH

The hi/lo rod assembly consists of an inner and outer tube with a spring button lock to keep them together.

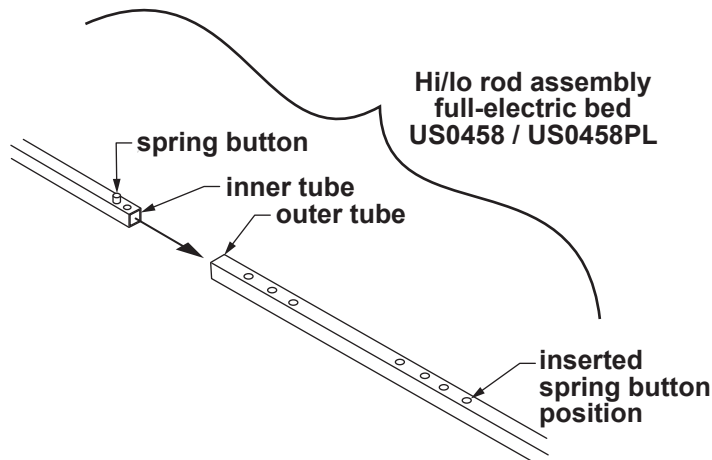
1. Assemble outer and inner tubes:

Semi-electric bed only (US0208/US0208PL): Assemble hi/lo rod



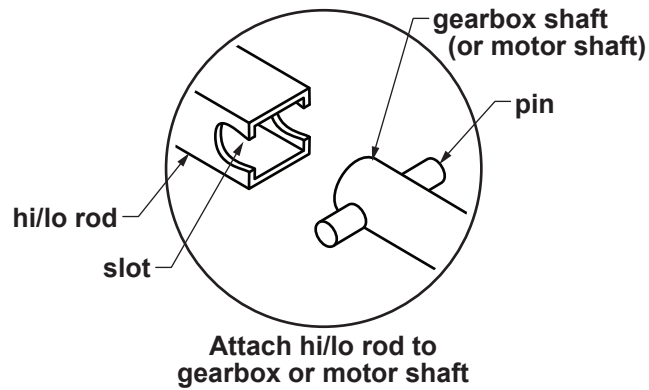
Depress spring button and insert inner tube into outer tube until third hole is reached as shown above. Release spring button to lock it into hole.

Full-electric bed only (US0458/US0458PL): Assemble hi/lo rod

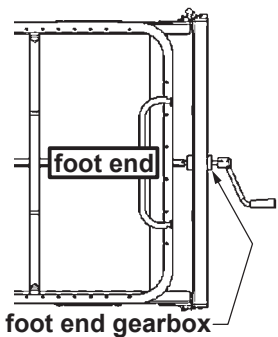


Depress spring button and insert inner tube into outer tube until last hole of second hole set is reached as shown above. Release spring button to lock it into hole.

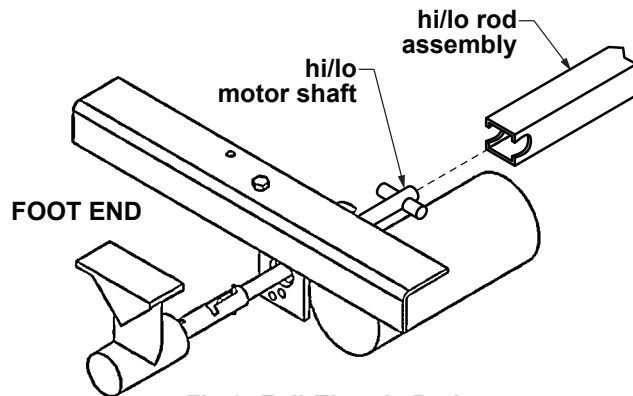
All models: Attach HI/LO rod to gearbox or motor shaft pins



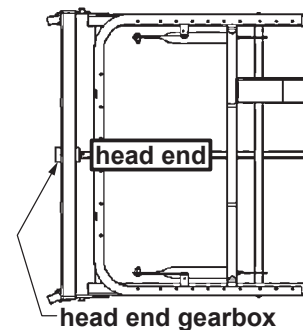
Both ends of the hi/lo rod assembly have a slot to mount on the foot end motor shaft pins and bed end gearbox shaft pins as shown above. Follow steps 2-3 to mount the hi/lo rod assembly on the gearboxes.



**Fig 1: Semi-Electric Bed:
Attach hi/lo rod assembly
to foot end gearbox**



**Fig 2: Full-Electric Bed:
Attach hi/lo rod assembly
to foot end hi/lo motor shaft**



**Fig 3: All Bed Models:
Attach hi/lo rod assembly
to head end gearbox**

2. Connect the hi/lo rod assembly to the bed.

Semi-electric bed: Attach either end of hi/lo rod assembly to the foot end gearbox as shown in Fig 1 above.

Full-electric bed: Attach either end of hi/lo rod assembly to the foot end hi/lo motor shaft as shown in Fig 2 above.

3. Attach other end of hi/lo rod assembly to head end gearbox as shown in Fig 3 above.

4 BED OPERATION

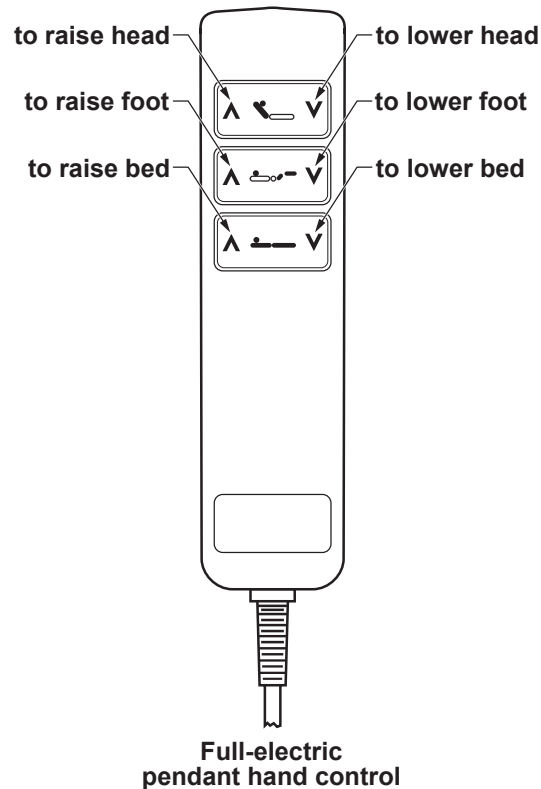
⚠ WARNING: Ensure that bed is secure and assembled as instructed on previous pages before operating.

Note: In the event of a power failure, use a standard 9V battery to lower the bed's head and foot sections (the 9V battery connection is attached to the motor). When used with the battery, the motor will only lower, not lift, the head and/or foot sections.

PENDANT HAND CONTROL OPERATION

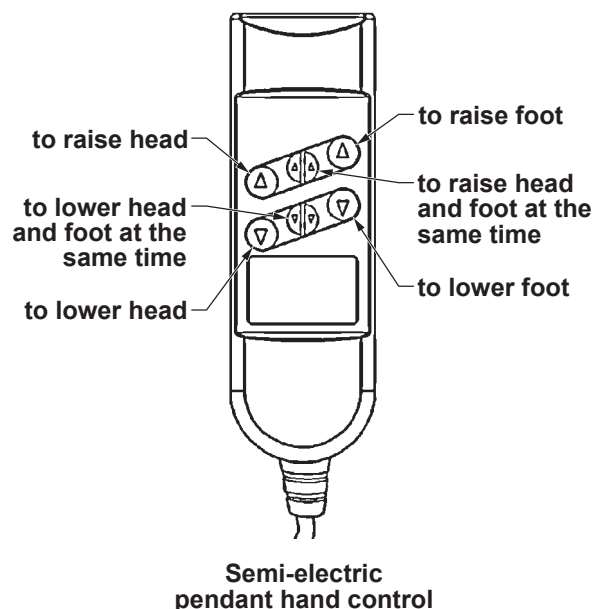
Full-electric bed only (US0458/US0458PL)

The full-electric pendant hand control is shown at right. Use the pendant hand control to raise and lower bed, head and foot. Each button has a different function, as noted in the picture.



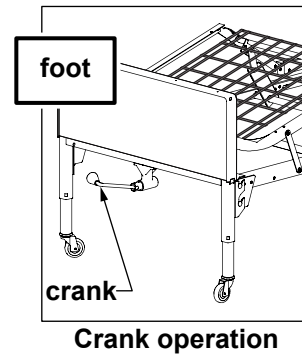
Semi-electric bed only (US0208/US0208PL)

The semi-electric pendant hand control is shown at right. Use the pendant hand control to raise and lower bed head and foot. Each button has a different function, as noted in the picture.



CRANK OPERATION: SEMI-ELECTRIC BED ONLY (US0208/US0208PL)

Use the crank at the center foot of the semi-electric bed (shown at right) to change bed height (raise or lower entire deck).



TRENDELENBURG POSITION, ALL MODELS (HEAD END AT LOWER ELEVATION THAN FOOT END)

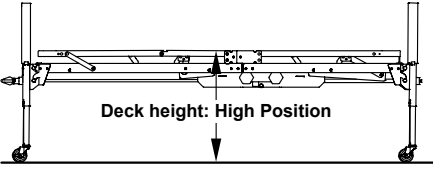
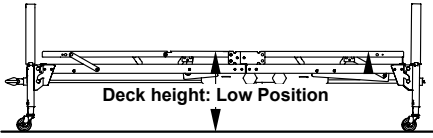
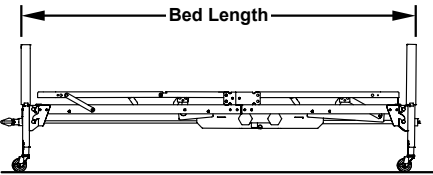
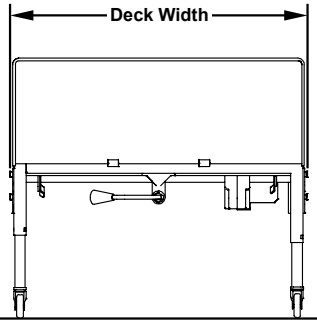
1. Lower bed to its lowest height. Disengage the hi/lo rod by compressing the spring button and removing the hi/lo rod from the motor or bed end.
2. Raise the foot bed end using the pendant hand control or crank (semi-electric bed only). The head end will remain in the low position.

REVERSE TRENDELENBURG POSITION, ALL MODELS (HEAD END AT HIGHER ELEVATION THAN FOOT END)

1. Raise bed to its highest height. Disengage the hi/lo rod by compressing the spring button and removing the hi/lo rod from the motor or bed end.
2. Lower the foot bed end using the pendant hand control or crank (semi-electric bed only). The head end will remain in the high position.

5 SPECIFICATIONS, ALL MODELS *

* Specifications are subject to change without notice.

Deck height	High position			
		US0208/US0208PL: 24.0 inches	US0458/US0458PL with casters in low position: 20.0 inches	US0458/US0458PL with casters in standard position: 23.5 inches
	Low position			
		US0208/US0208PL: 15.0 inches	US0458/US0458PL with casters in low position: 9.5 inches	US0458/US0458PL with casters in standard position: 13 inches
Bed length				
Note: To extend grid length (80 in.) to 84 in., install optional kit 690-0084-000 (all beds).		All models: 87.0 inches		
Deck width				
		All models: 36.0 inches		
Weight *		Normal operating conditions	450 lb., evenly distributed including mattress, accessories, rails, etc.	
		* Maximum patient weight	350 lb.	
Construction		Frame	10 ga (.135) high strength, low alloy steel (roll formed)	
		Sleeping surface	11 ga (.120) cold rolled steel	
Finish		5 stage bath	<ol style="list-style-type: none"> 1. S21F acid bath (cleans grease and oil from metal). 2. Fresh water rinse. 3. QuiliPhos 20 phosphate coat (inhibits rust and helps maintain electrical charge during powder application). 4. Fresh water rinse. 5. QuiliRinse 404 (seals metal for powder coating). 	
		All parts are then coated with a colored epoxy powder and baked 35 minutes at 375 degrees F. The powder coating finish is approximately 2.5 mils thick. The coating is smooth, uniform finish without runs, wrinkles, or grit.		

6 ACCESSORIES: BED RAILS

Patriot™ Homecare Bed decks are equipped with patent-pending slots specifically for bed rail installation, providing a fixed place to mount GF bed rails. Two styles of Lumex® bed rails are described in Section 6:

- 1) The Patriot™ Liberty bed rail system, designed specifically for Patriot™ Beds, and
- 2) Standard Lumex® bed rails

Please read the following bed rail safety information.

BED RAIL SAFETY

⚠ WARNING: If bed rails are not properly installed and adjusted, personal injury and/or damage to the bed rail could result.

For information on bed rail safety, please see the following brochure: "A Guide to Bed Safety: Bed Rails in Hospitals, Nursing Homes and Home Health Care: The Facts" on the FDA's web site, at <http://www.fda.gov.cdrh/beds/>

⚠ WARNING: The use of non-Lumex® replacement parts and/or bed rails will void the warranty, and could create a hazardous condition resulting in serious personal injury.

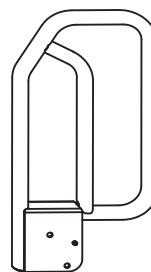
⚠ WARNING: GF Health Products, Inc. assumes no responsibility for any damage or injury caused by improper installation of bed rails or unauthorized bed rail use. Only Lumex® bed rails are recommended for use with Patriot™ beds. Please consult the instructions that accompany your Lumex® bed rails for complete rail assembly and installation instructions.

LUMEX® PATRIOT™ LIBERTY BED RAILS

Lumex® Patriot™ Liberty Bed Rails are designed specifically for use with Lumex® Patriot™ Beds. Developed using the *FDA Hospital Bed System Dimensional Guidance to Reduce Entrapment* and tested to the *Hospital Bed Safety Workgroup and FDA Dimensional Test Methods for Bed System Zones 1-4* and *International Standard IEC60601-2-38 Requirements for the Safety of Electrically Operated Hospital Beds*, Lumex® Patriot™ Liberty Bed Rails offer added protection and reduce the risk of entrapment. For installation of these FDA compliant-bed rails, follow the installation instructions that accompany them. Patriot™ Liberty Bed Rail descriptions follow.

GF6500B-1: Assist Bar

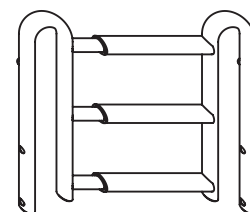
A secure handhold and support for active patients who need assistance getting in and out of bed on their own, this bar is bolted directly to either side of the bed frame to support the split frame when a patient enters or exits the bed. It can also assist patients capable of grasping the bar and maneuvering themselves with rotating and turning in bed.



GF6500B-1
Assist Bar

GF6580B-1: Quarter Rail

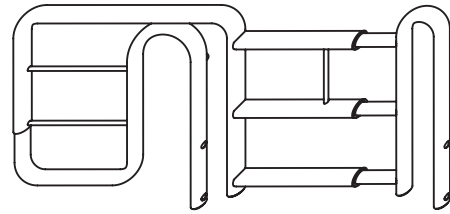
The Quarter Rail, approximately 18 inches in length when mounted on the Patriot™ bed, can be used as a head assist, head rail, or foot rail.



GF6580B-1
Quarter Rail

GF6590B-1: Half No-Gap Head Rail

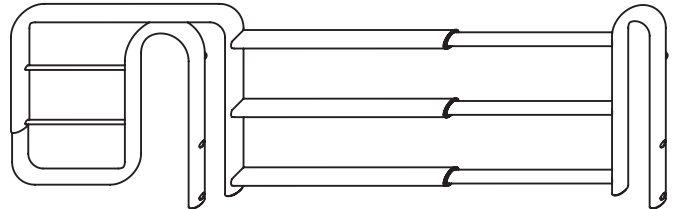
The Half No-Gap Head Rail, which provides a full head coverage of 31.5 inches, extends to eliminate the gap between the head board and the end of the rail. The GF6590B-1 mounted on the bed's head and the GF6580B-1 mounted on the bed's foot combine to create the Patriot™ split rail system.



GF6590B-1
Half No-Gap Head Rail

GF6570B-1: Full Length Rail

The Full Length rail is a nominal, telescoping full length rail that provides maximum length rail perimeter coverage.



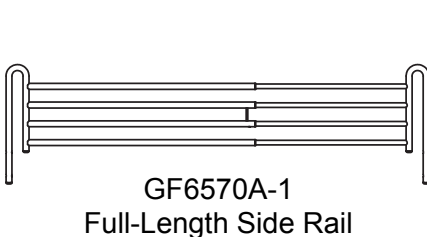
GF6570B-1
Full-Length Rail

LUMEX® STANDARD BED RAILS

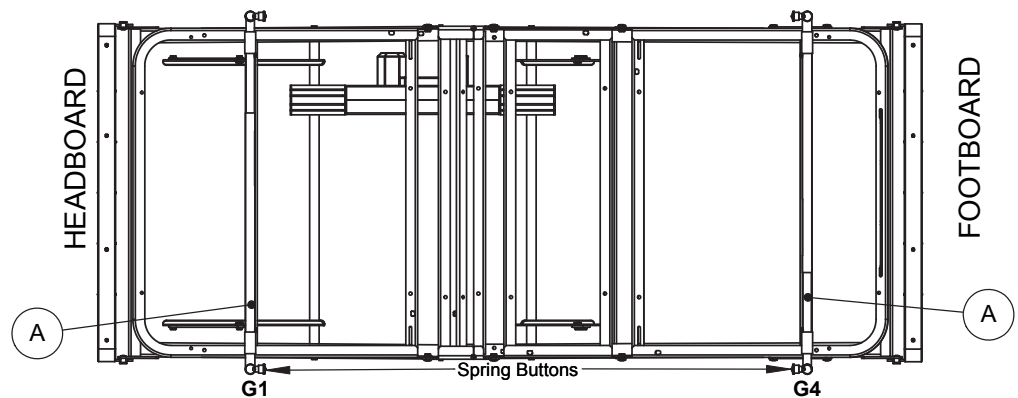
If you install Lumex® standard bed rails, follow the installation instructions that accompany them; the following instructions are provided to describe the differences between the installation of bed rail crossbraces on Patriot™ grid beds and spring beds.

⚠ WARNING: Do not use the bed rails as handles for getting into or out of bed; this could result in personal injury and damage to the bed rails.

GF6570A-1: Full Length Side Rail

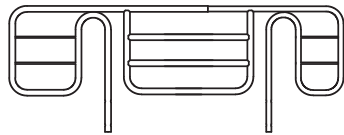


GF6570A-1
Full-Length Side Rail

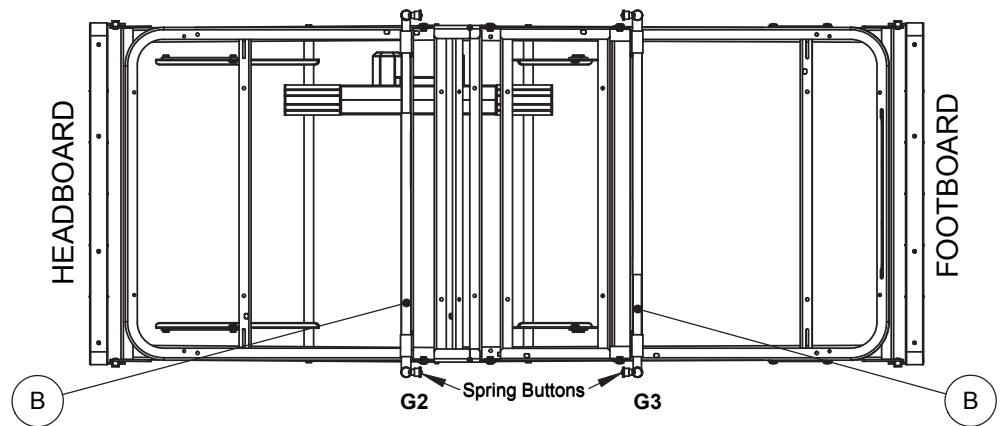


Position spring-loaded crossbraces #A into slots G1 and G4 on both sides of bed with spring buttons facing inward as shown above.

LX5088: No-Gap Bed Rail

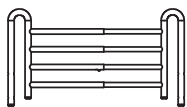


LX5088
No Gap Side Rail

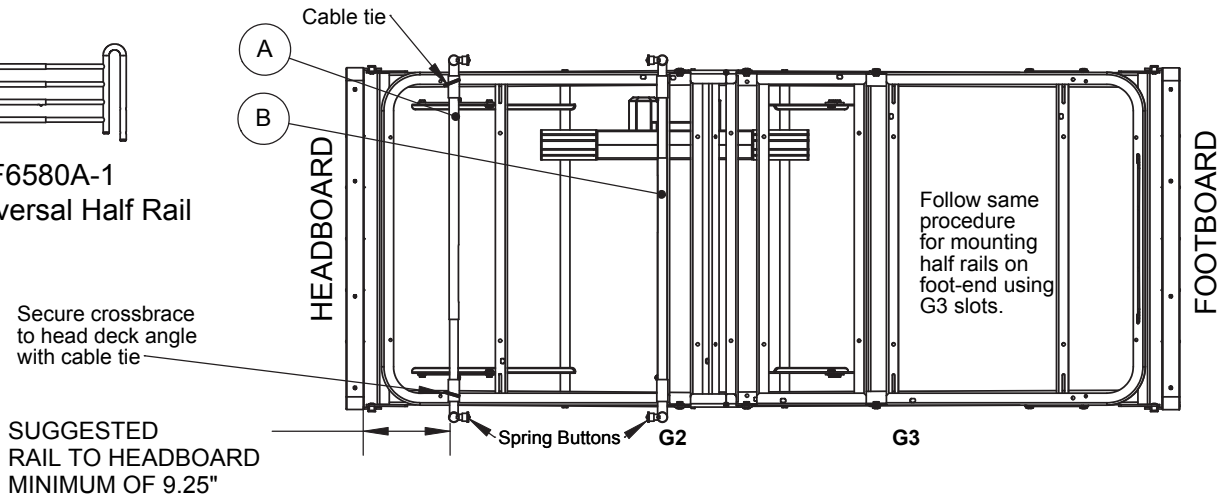


Position spring-loaded crossbraces #B into slots G2 and G3 on both sides of bed with spring buttons facing inward as shown above.

GF6580A-1: Low Universal Half Rail



GF6580A-1
Low Universal Half Rail



Head end: Position spring-loaded crossbrace #B into slots G2 on both sides of bed. Position crossbrace #A so that the stabilizer rests underneath the head deck angle. Secure the crossbrace to the head deck angle with a cable tie. Ensure spring buttons face inward as shown above.

Note: Suggested rail-to-headboard minimum is 9.25 inches.

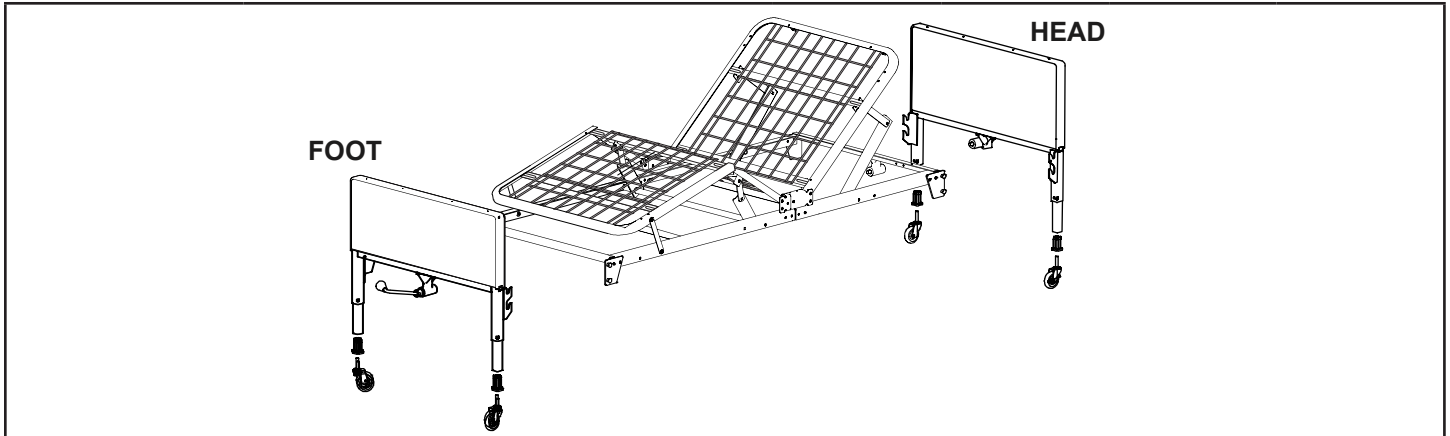
Foot end: Position spring-loaded crossbrace #B into slots G3 on both sides of bed. Position crossbrace #A so that the stabilizer rests underneath the foot deck angle. Secure the crossbrace to the foot deck angle with a cable tie. Ensure spring buttons face inward as shown at head end above.

7 SERVICE PARTS, ALL MODELS

Service parts for all bed models are shown below and on the following two pages. See pictures and tables for appropriate service parts.

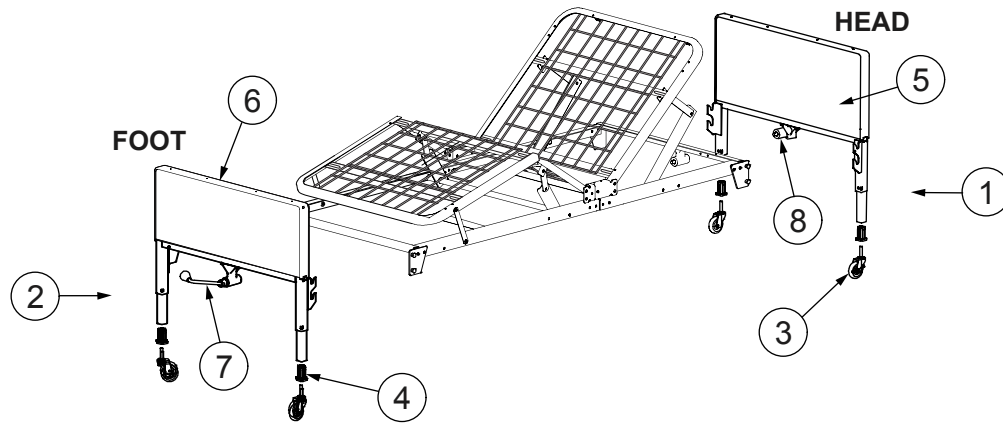
Note: To order service parts, contact our Customer Service department at 800-365-2338 (fax 920-929-8213).

BED COMPONENTS



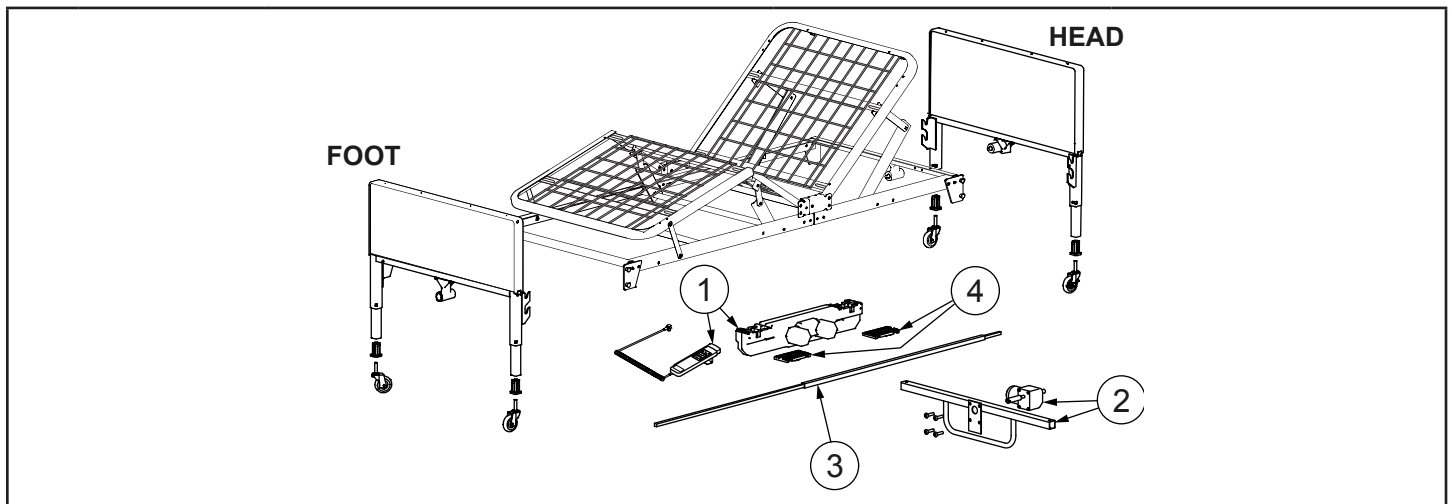
Part number	Description	Semi-electric		Full-electric	
		US0208	US0208PL	US0458	US0458PL
690-7100-901	Head section, includes hi/lo rod	X	X	X	X
690-7105-902	Foot section, semi-electric, includes motor	X	X		
690-7104-902	Foot section, full-electric, includes motors			X	X
690-7001-000	End set, semi-electric, walnut panels	X			
690-7601-000	End set, semi-electric, plastic panels		X		
690-7004-000	End set, full-electric, walnut panels			X	
690-7604-000	End set, full-electric, plastic panels				X

BED END COMPONENTS



Item	Part number	Description	Semi-electric		Full-electric	
			US0208	US0208PL	US0458	US0458PL
1	690-7001-901	Head bed end, semi-electric, walnut panels	X			
	690-7601-901	Head bed end, semi-electric, plastic panels		X		
	690-7004-901	Head bed end, full-electric, walnut panels			X	
	690-7604-901	Head bed end, full-electric, plastic panels				X
2	690-7001-902	Foot bed end, semi-electric, walnut panels	X			
	690-7601-902	Foot bed end, semi-electric, plastic panels		X		
	690-7004-902	Foot bed end, full-electric, walnut panels			X	
	690-7604-902	Foot bed end, full-electric, plastic panels				X
3	999-0301-904	Caster, set of 4: 2 locking & 2 non-locking	X	X	X	X
	100-6330-014	Caster, non-locking, each	X	X	X	X
	100-6330-015	Caster, locking, each	X	X	X	X
4	100-4200-012	Caster socket, each	X	X	X	X
5	554-2001-015	End panel, head/foot, semi-electric, walnut panels	X			
	690-5001-025	End panel, head/foot, semi-electric, plastic panels		X		
	690-5004-015	End panel, head/foot, full-electric, walnut panels			X	
	690-5004-025	End panel, head/foot, full-electric, plastic panels				X
6	554-2001-059	Capping, bed end, head/foot, semi-electric	X	X		
	690-5004-059	Capping, bed end, head/foot, full-electric			X	X
7	600-2001-912	Foot elbow, full-electric			X	X
	600-2001-916	Foot elbow with crank, semi-electric	X	X		
	999-0353-000	Foot crank only, semi-electric	X	X		
8	600-2001-910	Elbow, head end, semi-electric & full-electric	X	X	X	X
9	690-1000-100	End locking hardware and lanyard, set of 4 (not shown)	X	X	X	X

BED SERVICE PARTS



Item	Part number	Description	Semi-electric, H7920SE	Full-electric, H7920FE
			US0208 / US0208PL	US0458 / US0458PL
1	690-2001-913	Motor and pendant, semi-electric	X	
	690-2001-411	Pendant, semi-electric	X	
	690-2001-410	Motor, semi-electric	X	
	690-3001-943	Motor and pendant, full-electric		X
	690-2001-414	Pendant, full-electric		X
	690-3001-415	Motor, full-electric		X
2	690-7001-944	Motor and bracket, hi/lo		X
	690-3001-941	Motor, hi/lo, full-electric		X
3	554-2018-901	Hi/lo rod assembly	X	X
4	690-2001-412	Motor slide covers	X	X
5	690-1000-100	End locking hardware and lanyard, set of 4 (not shown)	X	X

Note: US0208 and US0208PL are identified on the foot section component label as Patriot™ Semi-Electric Bed Model H7920SE.

Note: US0458 and US0458PL are identified on the foot section component label as Patriot™ Full-Electric Bed Model H7920FE.

8 MAINTENANCE AND SAFETY CHECKS

Perform the following as needed or between patient placements, whichever happens sooner:

Electronics and Motors	Check all controls to ensure that all functions work properly.	Foot control
		Head control
		Hi/Lo (if applicable)
	Check all cables for damaged or frayed wires.	Power cord
		Pendant hand control cord
	Check to ensure that all plugs are fully inserted or attached.	
	Check to ensure that all wires are routed and attached properly so not to interfere with any moving parts.	
Inspect motor casings for excessive wear and cracks		
Inspect motor slide caps for excessive wear and deformation		
Bed frames and sleeping surface	Visually check all welds	Head section
		Foot section
		Main Frame
	Check joints between sleeping surface sections for loose fasteners.	
Inspect frames and sleeping surface for bending and excessive wear		
Cleaning	The metal parts of the bed are covered with a powder coating. Clean all coated parts with mild detergent and warm water. Periodically raise head and foot sections of the bed and remove dust from frame. Also, periodically remove mattress and clean mattress deck.	
Lubrication and mechanical	Lubricate all caster roller and swivel bearings with light machine oil.	
	Check all bolts and tighten as needed.	

9 WARRANTY

GF Health Products, Inc. warrants the

Patriot™ US0208 / US0208PL Semi-Electric Homecare Bed

Patriot™ US0458 / US0458PL Full-Electric / Low Bed

as follows:

- Two year warranty for defects in workmanship and materials of mechanical components, frame, and electronics.
- During the warranty period, defective items will be repaired or replaced at manufacturer's option. The warranty does not include any labor charges incurred in replacement part(s) installation or any associated freight or shipping charges to the manufacturer.

10 INDEX

A

Assembly instructions 5

B

Bed end assembly 8

Bed end safety pins, install 9

Bed extension kit, 84" 14

Bed height, low, full-electric 7

Bed height, standard, full-electric 7

Bed length adjustment 10

Bed operation 12

Bed rails 15

Bed rail safety 15

C

Caster position (full-electric bed only) 7

Caution statement, significance 3,?5

Crank operation (semi-electric bed only) 13

D

Deck height (high position) 14

Deck height (low position) 14

F

Full-electric 10

H

Head and foot assembly instructions 5

Hi/lo rod assembly 10

I

Introduction 3

L

Lumex® Patriot™ Liberty bed rails 15

Lumex® standard bed rails 16

M

Maintenance, bed frame and sleeping surface 21

Maintenance, cleaning 21

Maintenance, electronics 21

Maintenance, lubrication and mechanical 21

Maintenance and safety checks 21

Motor assembly 6

Motor assembly troubleshooting 7

Motor slide caps, install 7

Motor slide caps, remove 6

N

Non-Lumex® bed rails 15

Non-Lumex® replacement parts 15

Note, significance 3

P

Pendant hand control operation, full-electric 12

Pendant hand control operation, semi-electric 12

Power failure; battery operation 12

S

Service parts, all models 18

Service parts, bed components 18

Service parts, bed end components 19

Specification, construction 14

Specification, weight 14

Specifications, dimensions 14

T

Thermal motor protection 4

Trendelenburg position 13

Trendelenburg position, reverse 13

W

WARNING statement, significance 3

Warranty 22

U.S.A. Corporate Headquarters:

GF Health Products, Inc.
2935 Northeast Parkway
Atlanta, Georgia 30360
telephone: 800-347-5678, 770-447-1609
fax: 800-726-0601, 678-291-3232



GRAHAM-FIELD.

www.grahamfield.com